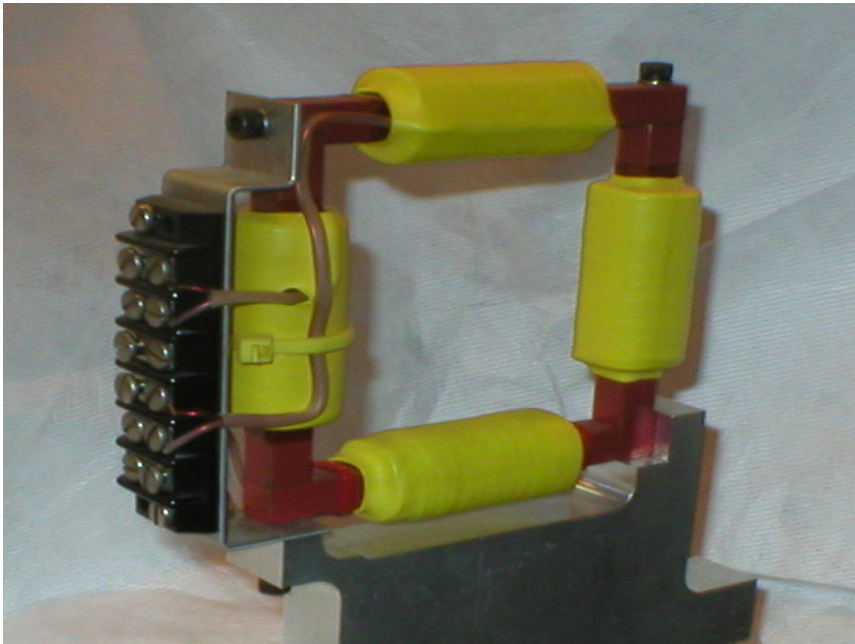


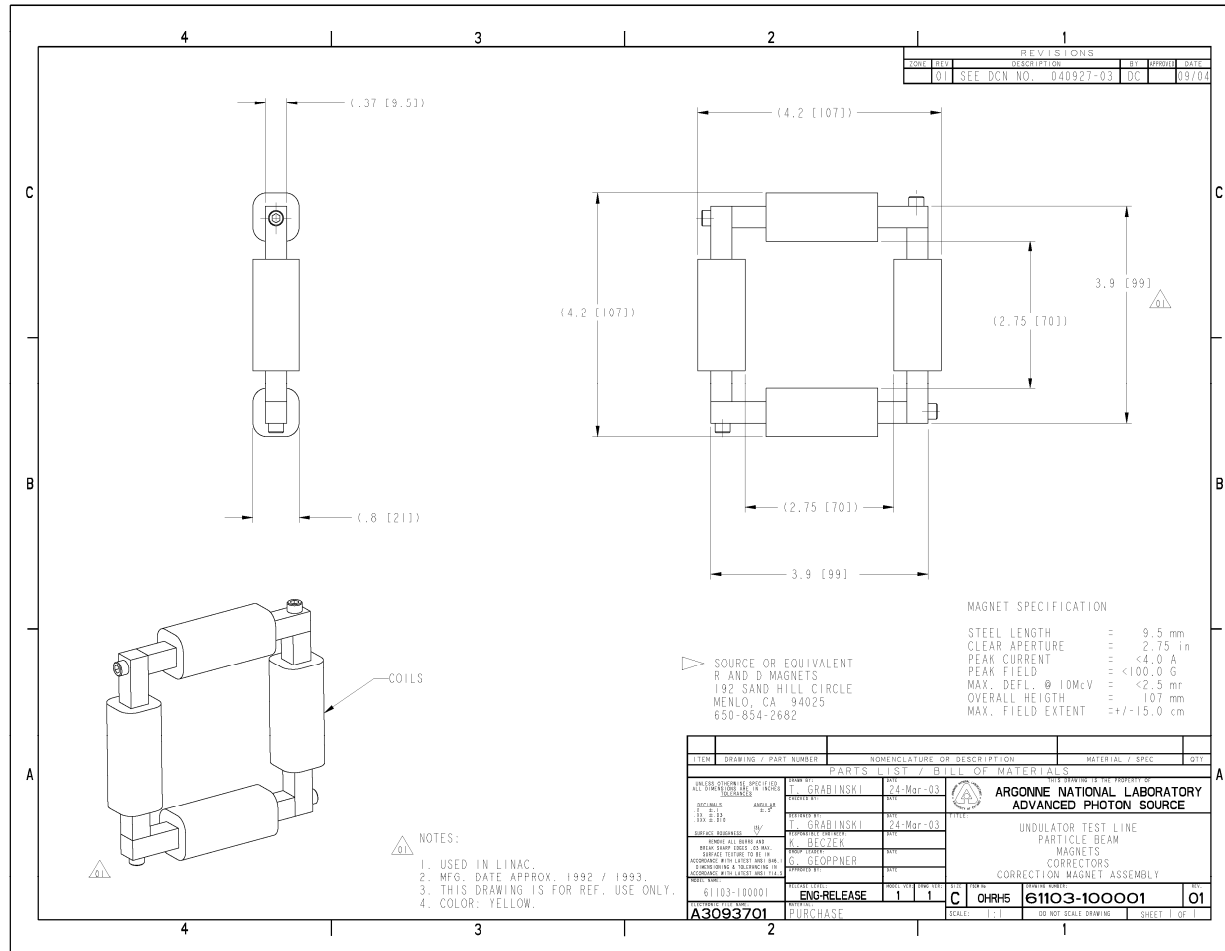
LINAC CORRECTOR MAGNET

Dwg. No. 61103-100001

This magnet is used in the LINAC to steer the electron beam horizontally and vertically. There are 11 magnets of this type used in the LINAC. The identification numbers of these magnets are: L1:PG1:SC1, L1:RG1:SC2, RG1:SC2, L1:RG1:SC3, L1:RG2:SC1, L1:RG2:SC2, L1:RG2:SC3, L1:SC1, L1:SC2, L1:SC3, and L1:SC4.



LINAC CORRECTOR MAGNET



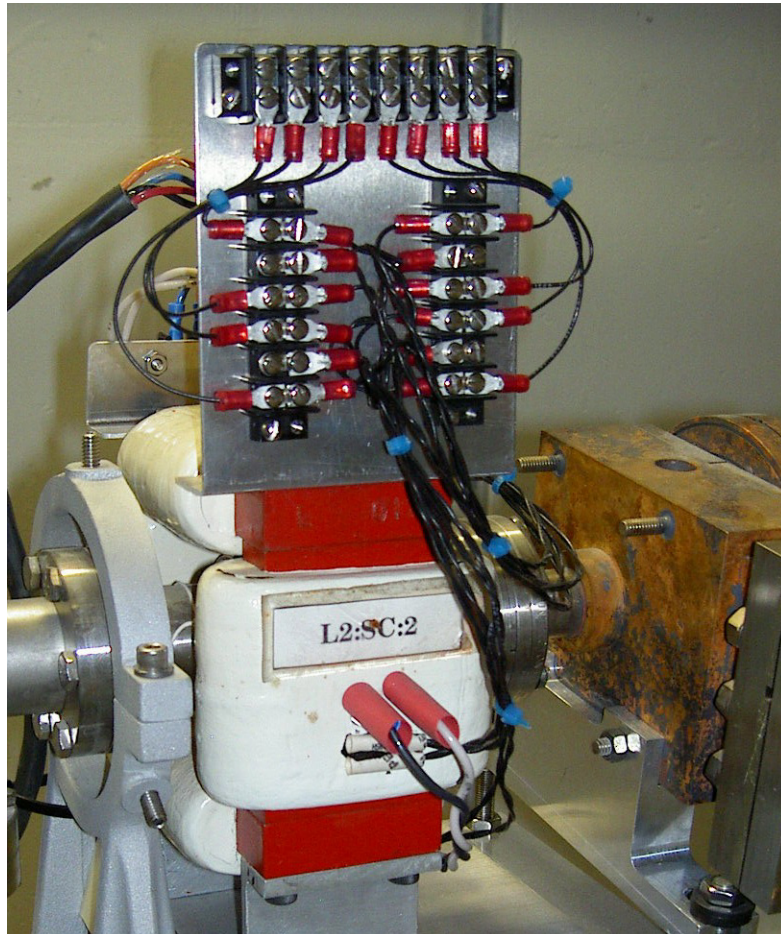
James Humbert
4/28/2005

MECHANICAL ENGINEERING GROUP
ACCELERATOR SYSTEMS DIVISION

**Advanced
Photon
Source**
ARGONNE NATIONAL LABORATORY



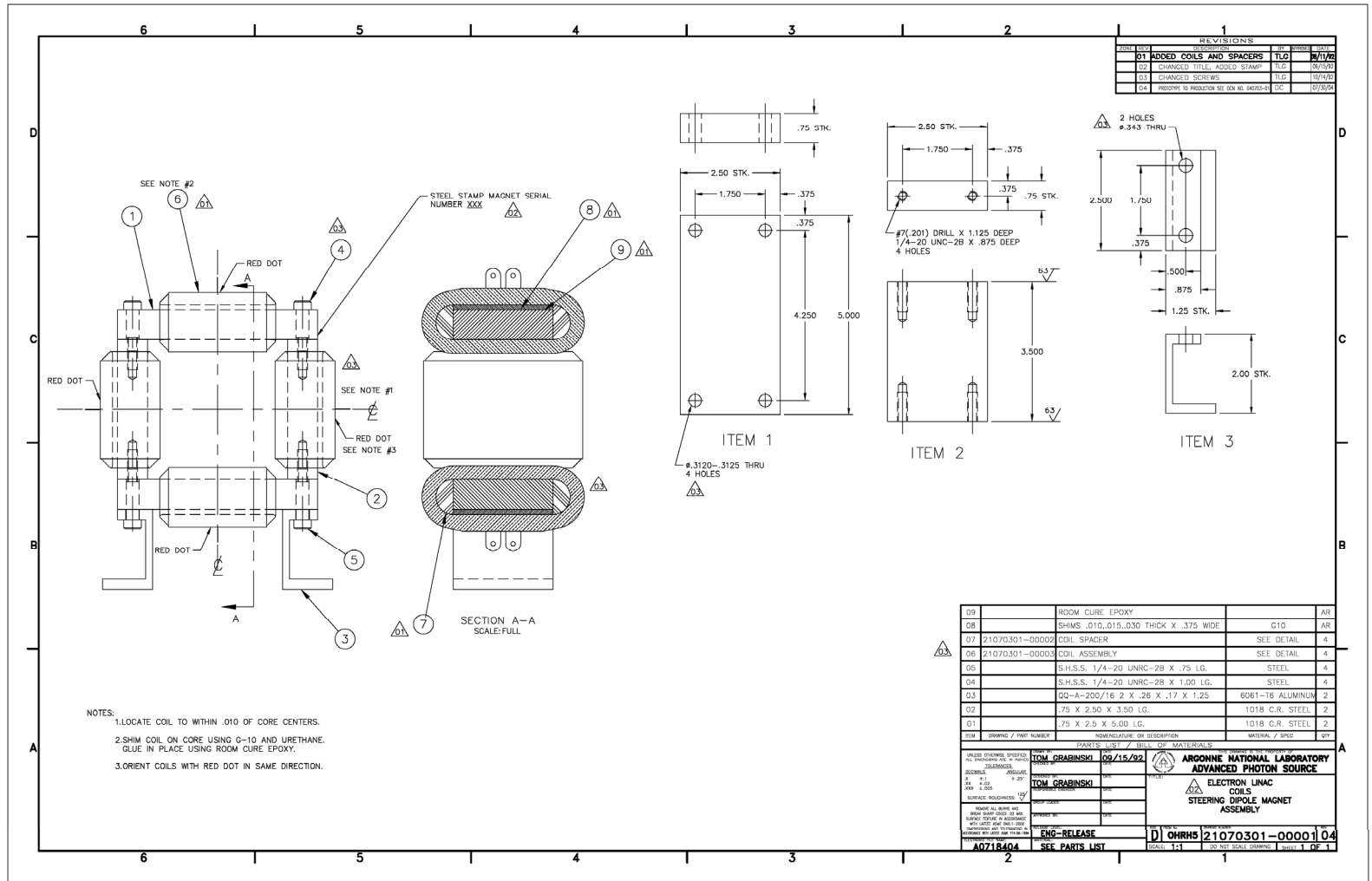
LINAC CORRECTOR MAGNET



Dwg. No. 21070301-00001

This magnet is used in the LINAC to steer the electron beam horizontally and vertically. There are 14 magnets of this type used in the LINAC. The identification numbers of these magnets are: L2:SC1, L2:SC2, L2:SC3, L2:SC4, L3:SC1, L3:SC2, L4:SC1, L4:SC2, L4:SC3, L4:SC4, L5:SC1, L5:SC2, L5:SC3, and L5:SC4.

LINAC CORRECTOR MAGNET

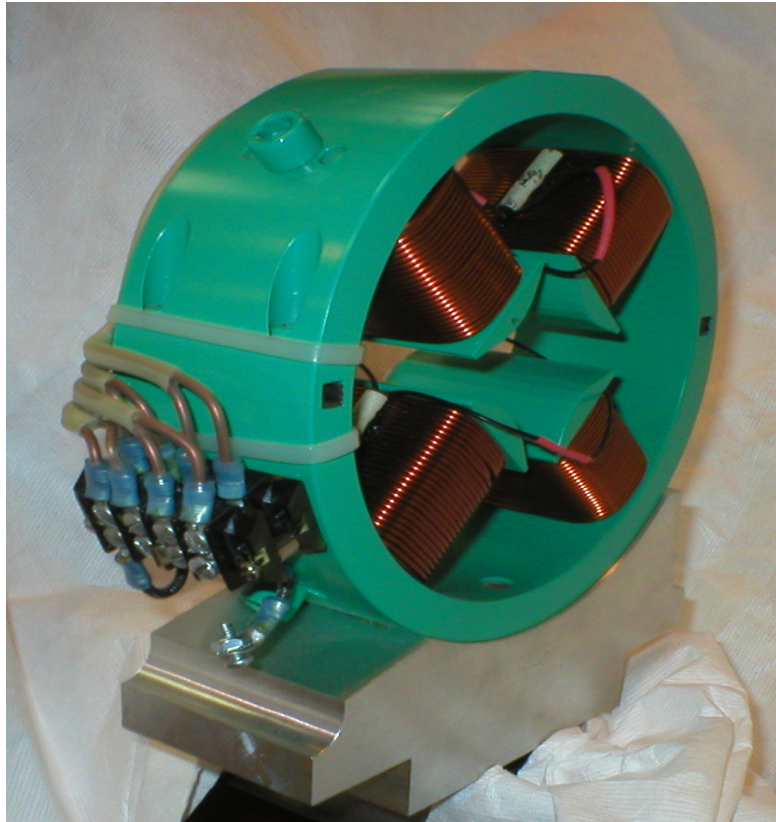


James Humbert
 4/28/2005

MECHANICAL ENGINEERING GROUP
 ACCELERATOR SYSTEMS DIVISION



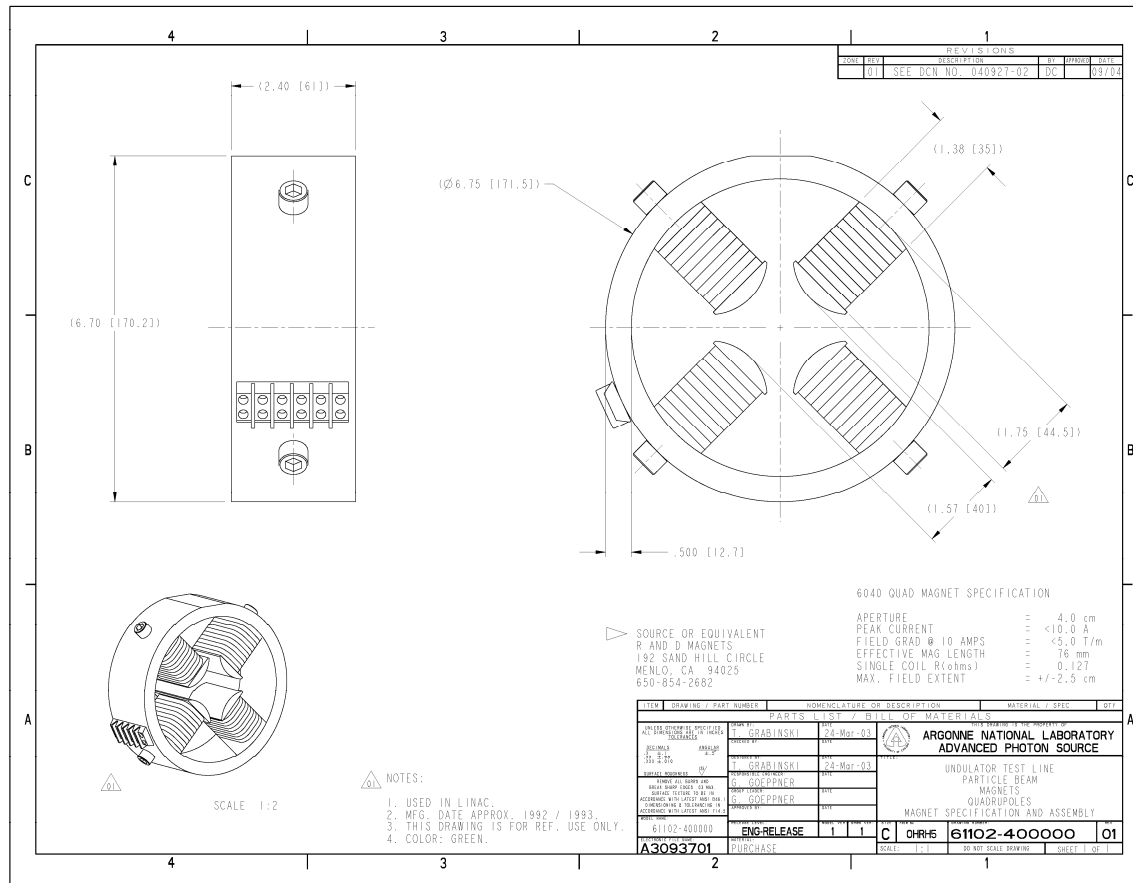
LINAC QUADRUPOLE MAGNET



Dwg. No. 61102-4000000

This magnet is to focus/defocus the electron beam. There are 15 magnets of this type used in the LINAC. The identification numbers of these magnets are: L1:RG1:QM1, L1:RG1:QM2, L1:RG1:QM3, L1:RG1:QM4, L1:RG2:QM1, L1:RG2:QM2, L1:RG2:QM3, L1:RG2:QM4, L1:QM1, L1:QM2, L1:QM3, L1:QM4, L1:QM5, L3:QM1, and L3:QM2. The effective magnetic length is 75mm.

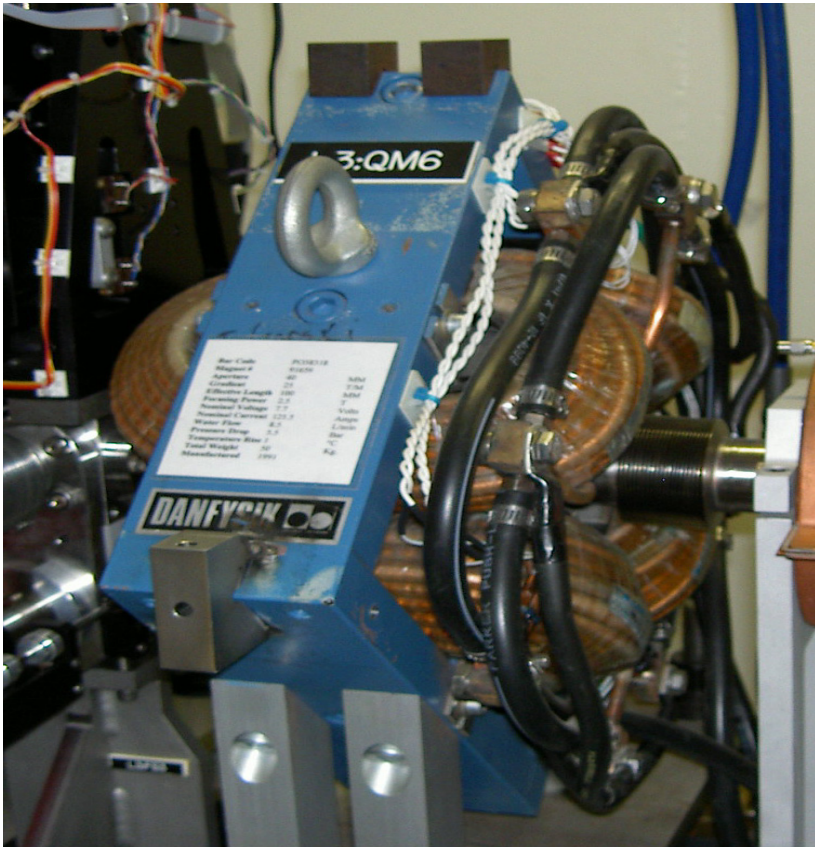
LINAC QUADRUPOLE MAGNET



James Humbert
4/28/2005

MECHANICAL ENGINEERING GROUP
ACCELERATOR SYSTEMS DIVISION

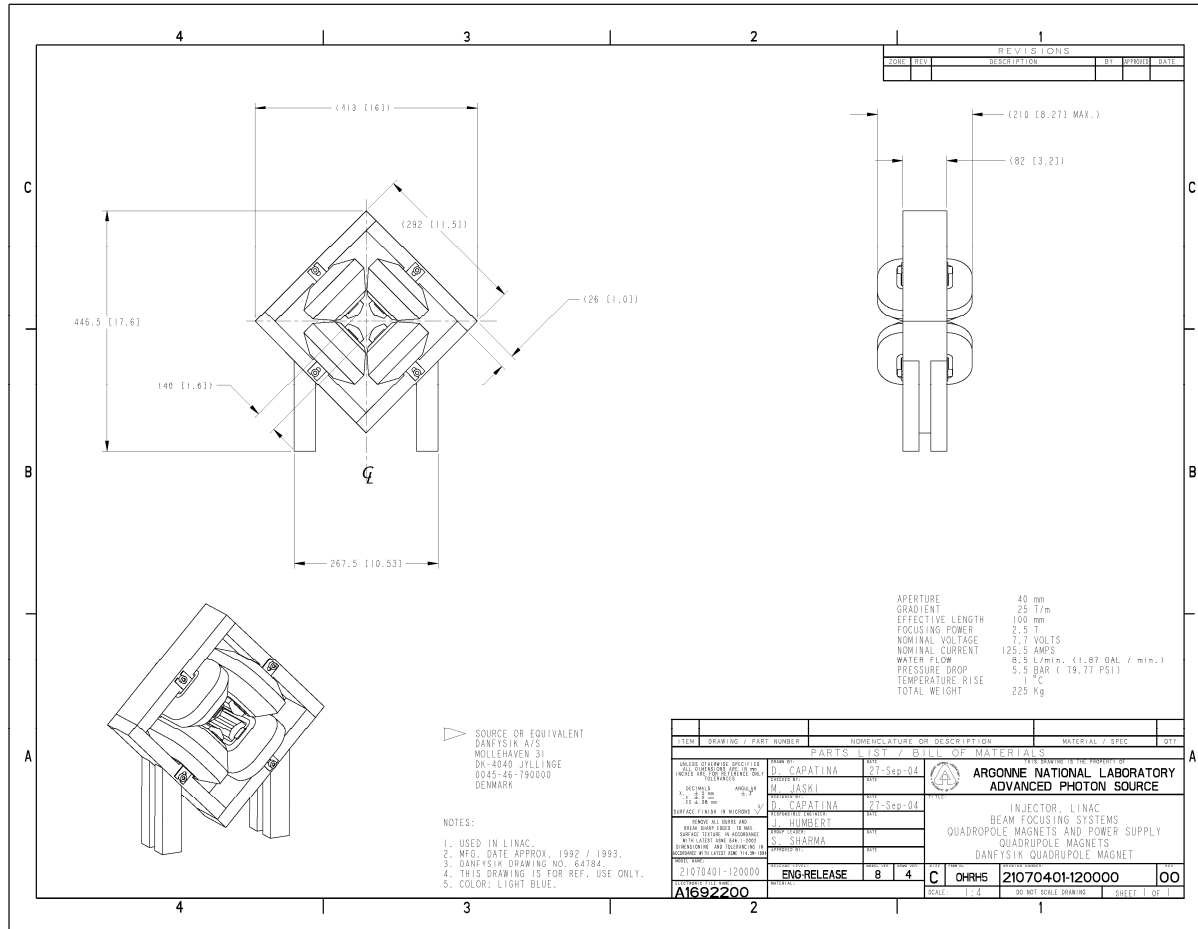
LINAC QUADRUPOLE MAGNET



Dwg. No. 21070401-120000

This magnet is used to focus and defocus the electron beam. There are 3 magnets of this type used in the LINAC. The identification numbers of these magnets are: L3:QM4, L3:QM5, and L3:QM6. The effective magnetic length is 100mm.

LINAC QUADRUPOLE MAGNET



James Humbert
4/28/2005

MECHANICAL ENGINEERING GROUP
ACCELERATOR SYSTEMS DIVISION

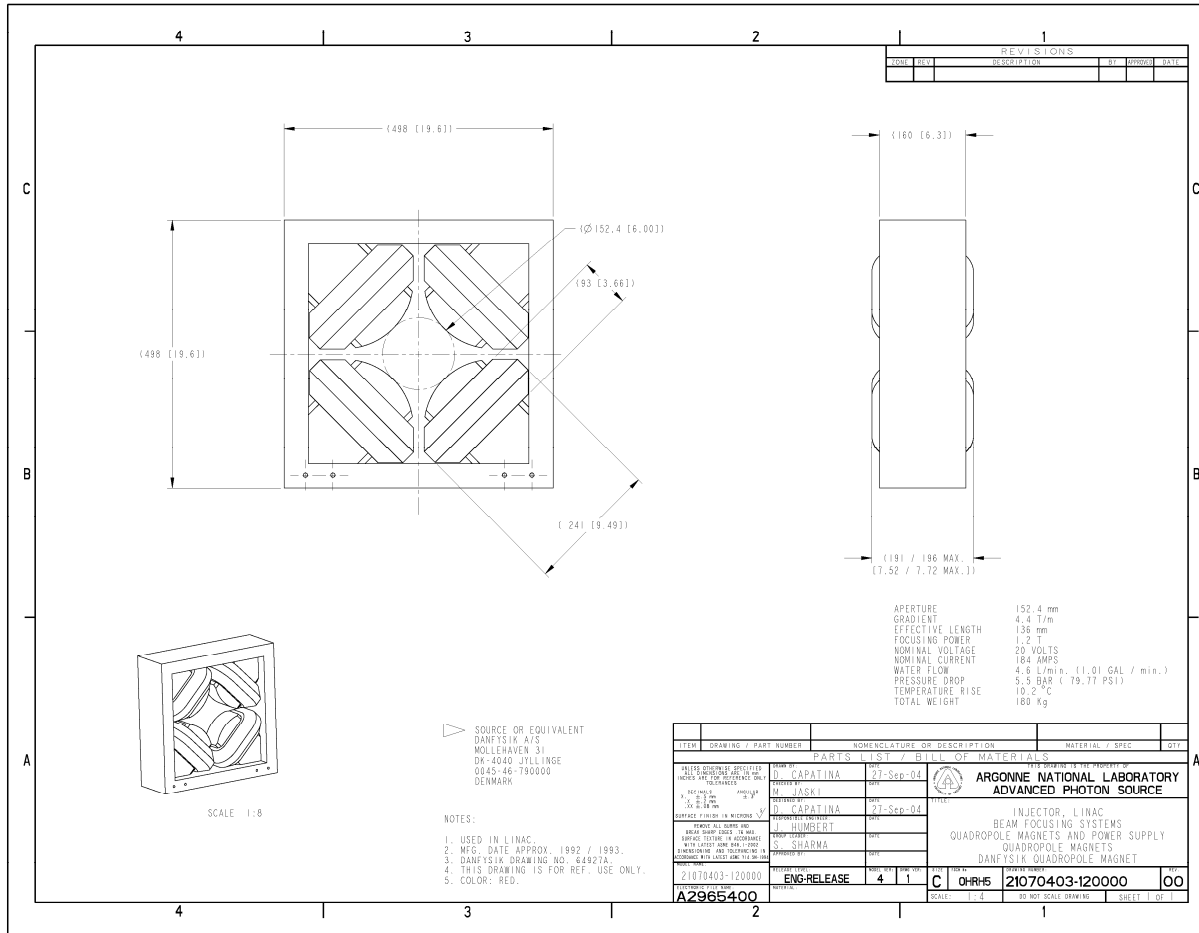
LINAC QUADRUPOLE MAGNET



Dwg. No. 21070403-120000

This magnet is used to focus and defocus the electron beam. There are 2 magnets of this type used in the LINAC. The identification numbers of these magnets are: L2:QM1 and L2:QM2. The effective magnetic length is 136 mm.

LINAC QUADRUPOLE MAGNET



James Humbert
 4/28/2005

MECHANICAL ENGINEERING GROUP
 ACCELERATOR SYSTEMS DIVISION



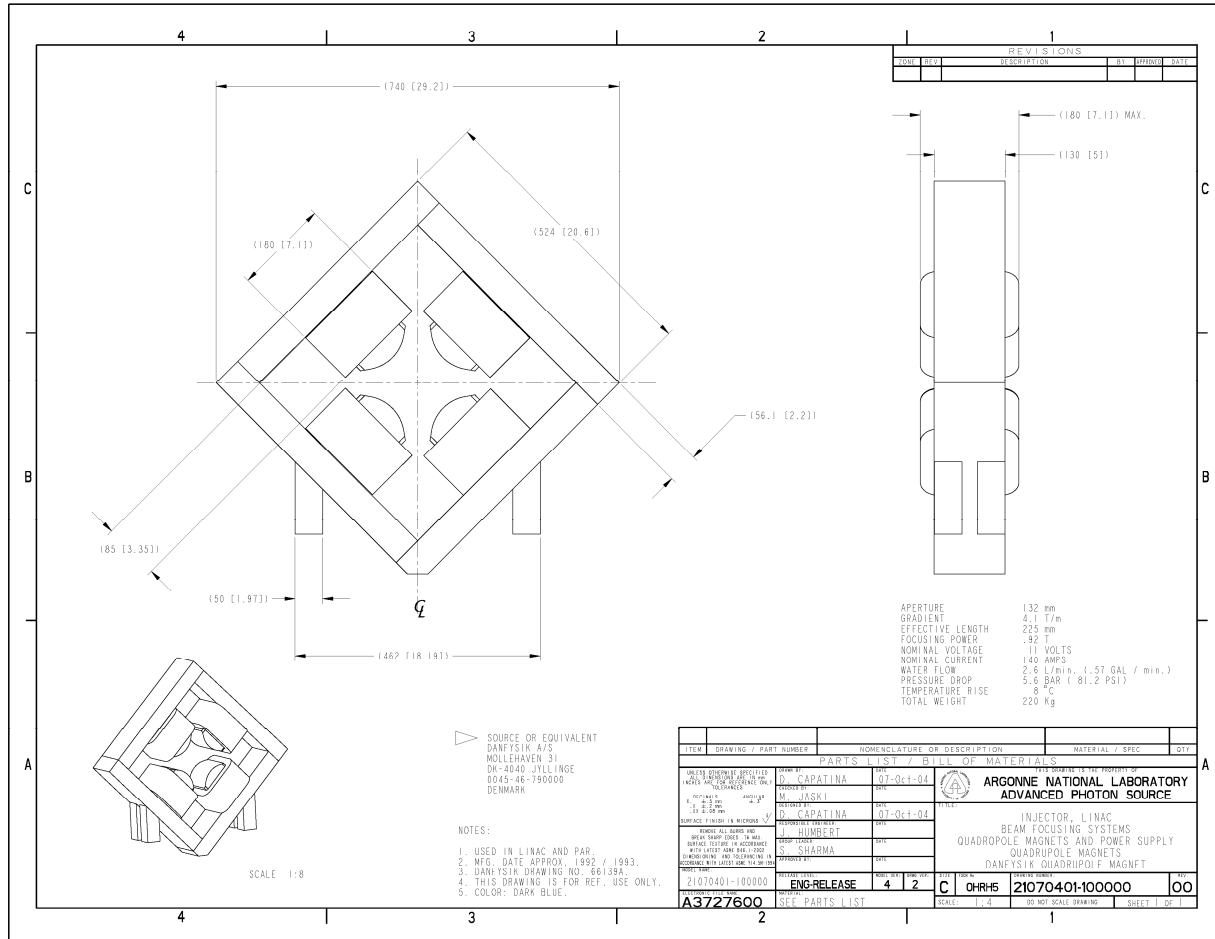
LINAC QUADRUPOLE MAGNET



Dwg. No. 21070401-100000

This magnet is used to focus and defocus the electron beam. There is 1 magnet of this type used in the LINAC, however there are also 16 more magnets of this type in the PAR. The identification number of this magnet is: L3:QM3. The effective magnetic length is 225mm.

LINAC QUADRUPOLE MAGNET

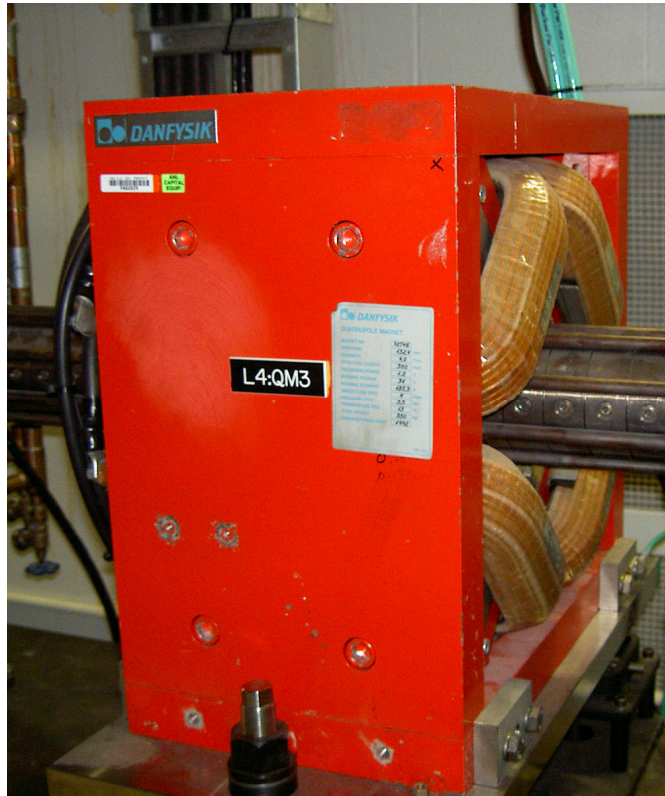


James Humbert
4/28/2005

MECHANICAL ENGINEERING GROUP
ACCELERATOR SYSTEMS DIVISION



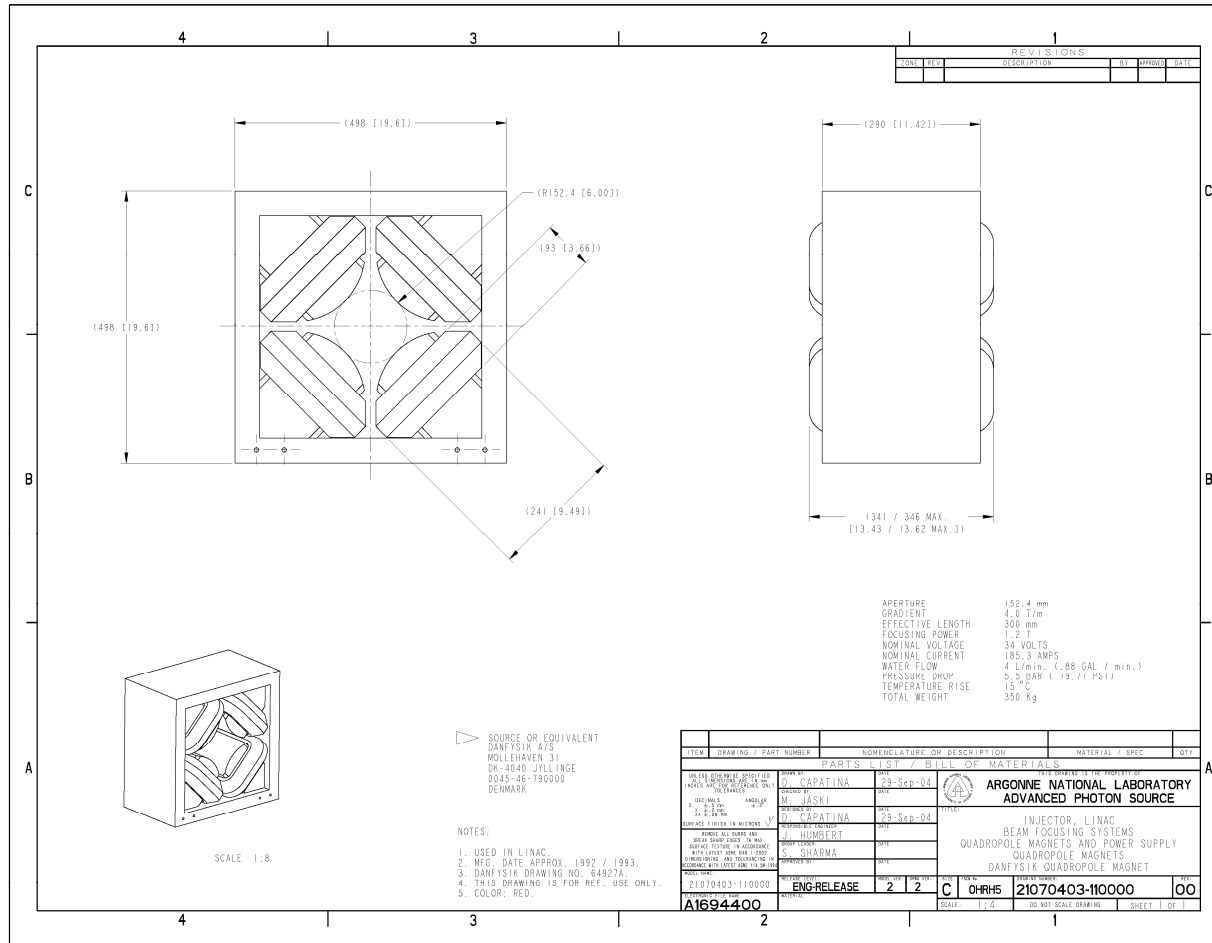
LINAC QUADRUPOLE MAGNET



Dwg. No. 21070403-110000

This magnet is used to focus and defocus the electron beam. There is 17 magnets of this type used in the LINAC. The identification numbers of these magnets are: L2:QM3, L2:QM4, L2:QM5, L2:QM6, L2:QM7, L2:QM8, L4:QM1, L4:QM2, L4:QM3, L4:QM4, L4:QM5, L4:QM6, L4:QM7, L5:QM1, L5:QM2, L5:QM3, and L5:QM4. The effective magnetic length is 300mm.

LINAC QUADRUPOLE MAGNET



James Humbert
 4/28/2005

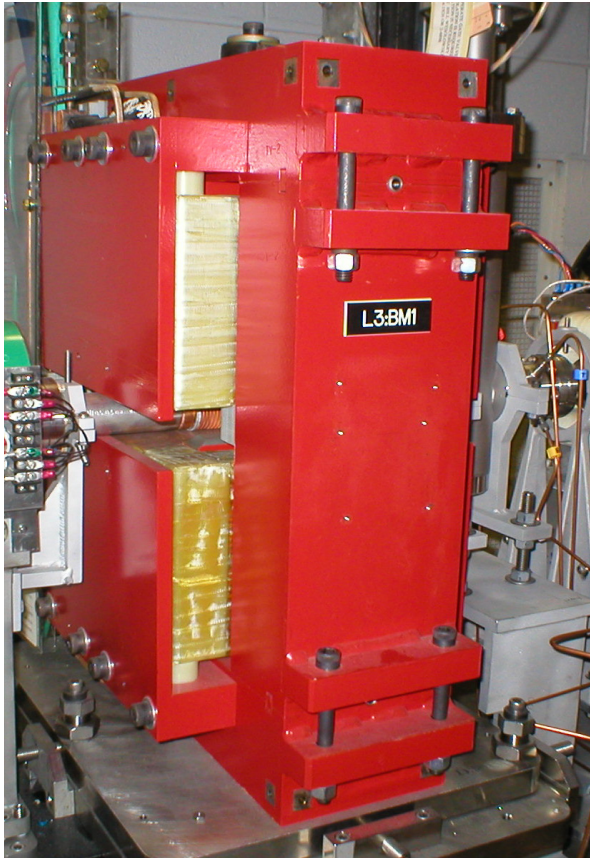
MECHANICAL ENGINEERING GROUP
 ACCELERATOR SYSTEMS DIVISION



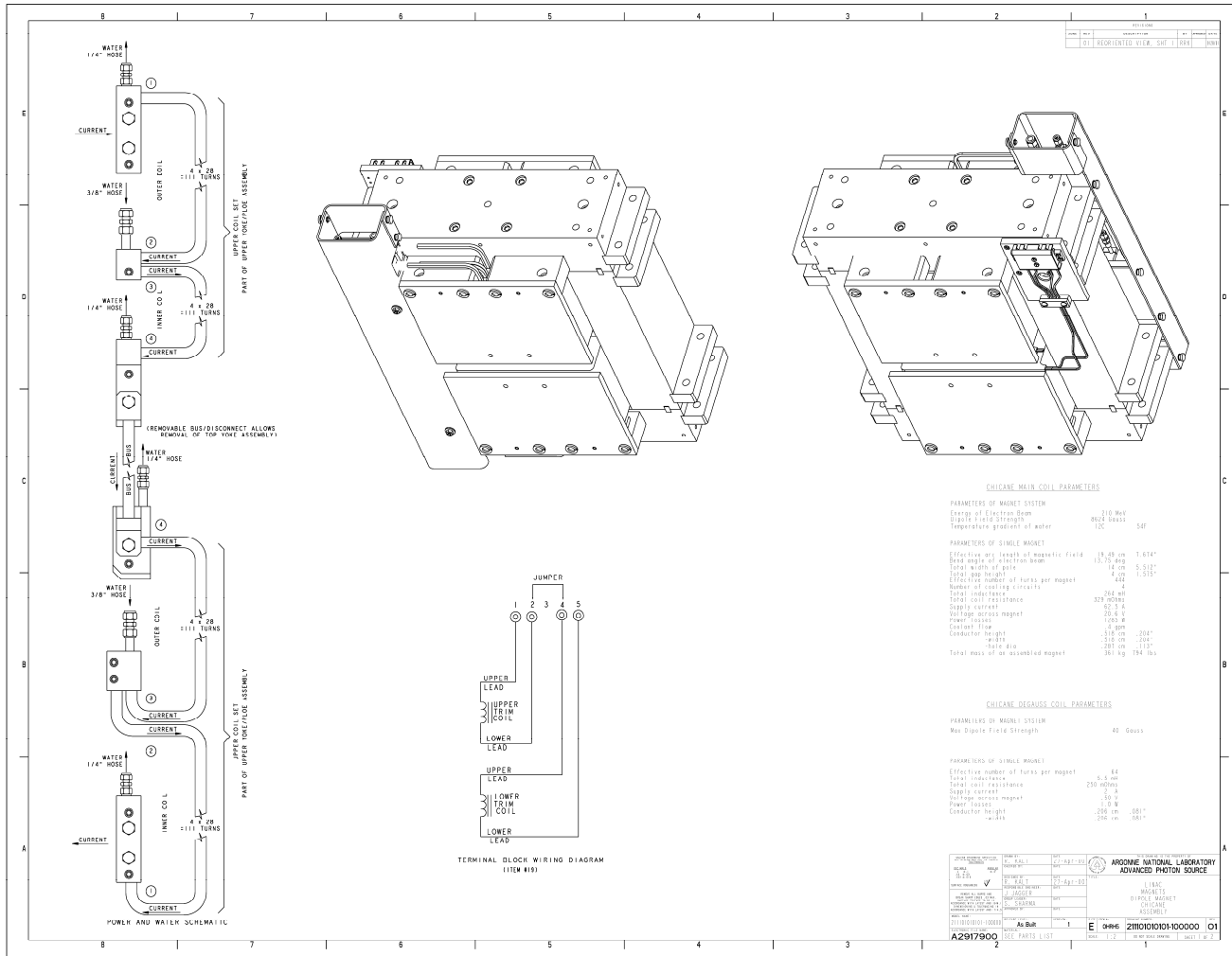
LINAC DIPOLE MAGNET

Dwg. No. 211101010101-100000

This magnet is used to steer the electron beam horizontally. There are 4 magnets of this type used in the LINAC. The identification numbers of these magnets are: L3:BM1, L3:BM3, L3:BM4, and L5:BM2. There is another dipole which is set on its side. This magnet identification number is L3:AM1. The magnet is used to analyze the beam during machine studies time.



LINAC DIPOLE MAGNET

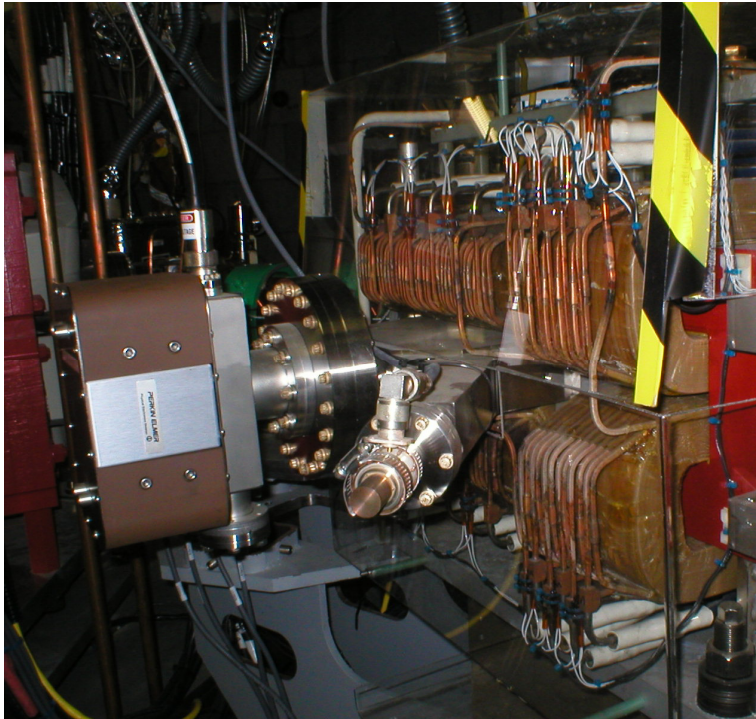


James Humbert
4/28/2005

MECHANICAL ENGINEERING GROUP
ACCELERATOR SYSTEMS DIVISION



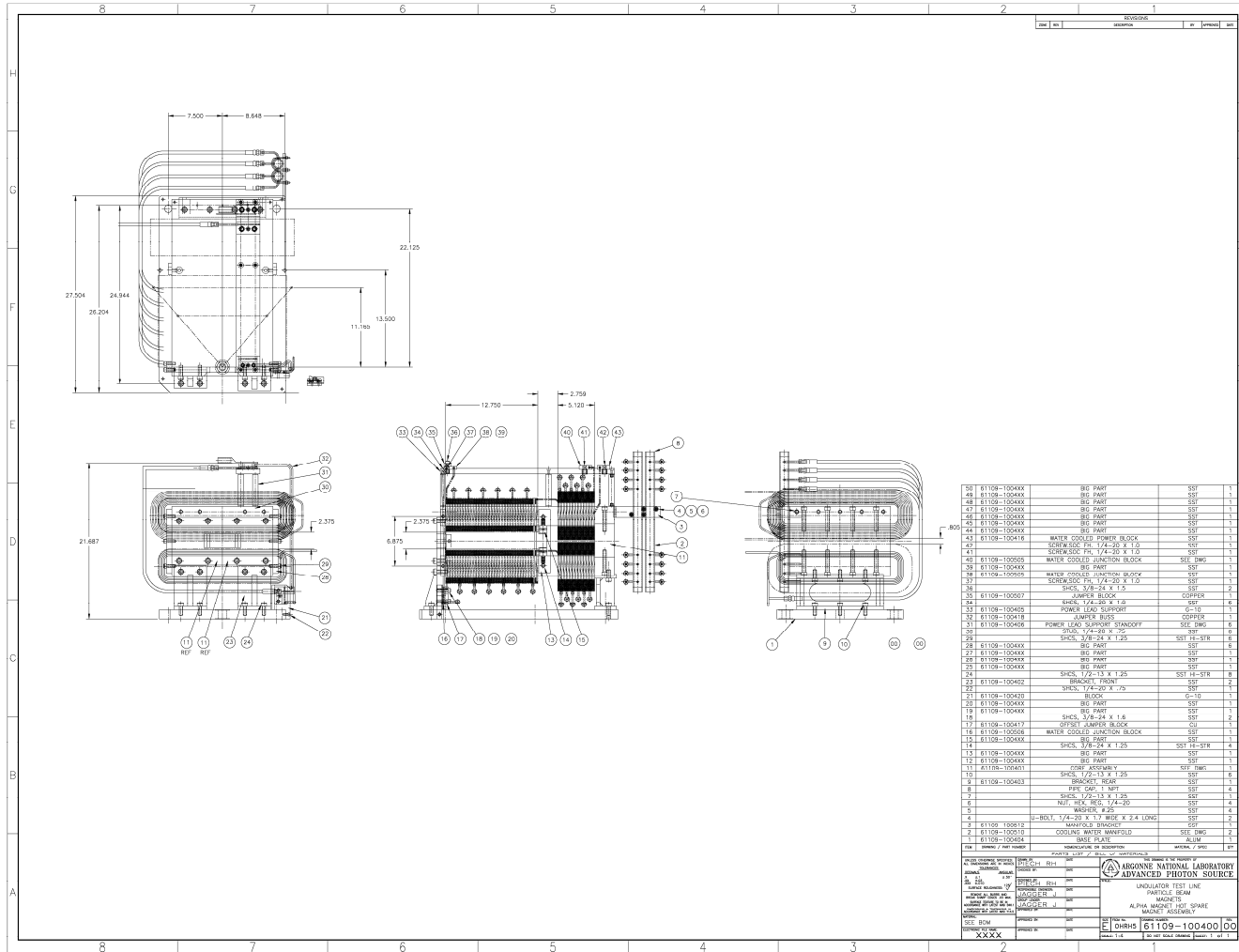
LINAC ALPHA MAGNET



Dwg. No. 61109-100400

This magnet is called an Alpha magnet for which it directs the electrons. The electron beam comes out of the RF gun and does an alpha loop thru the magnet to the LINAC beam line. This magnet is also known as a Panofsky style alpha magnet. The identification number is L1:RG1:LFA.

LINAC ALPHA MAGNET

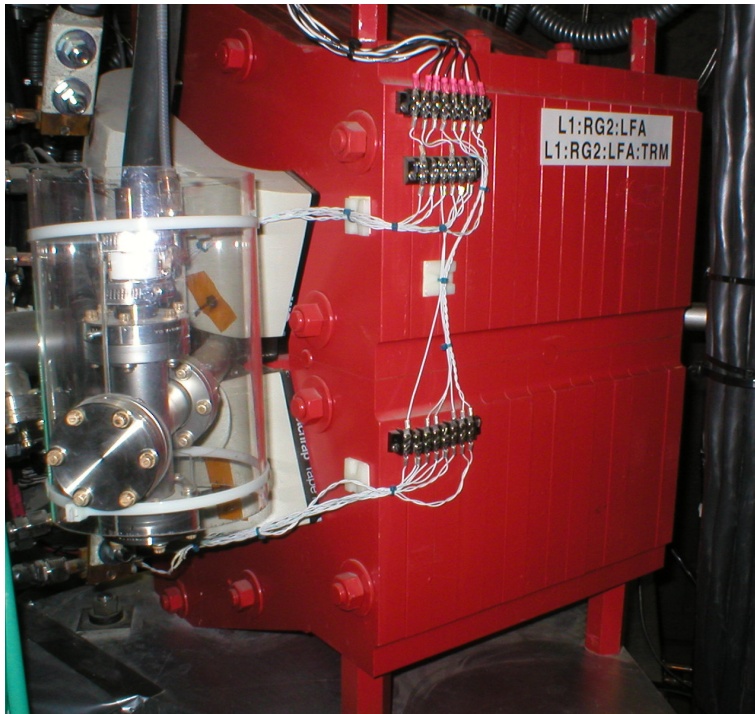


James Humbert
4/28/2005

MECHANICAL ENGINEERING GROUP
ACCELERATOR SYSTEMS DIVISION



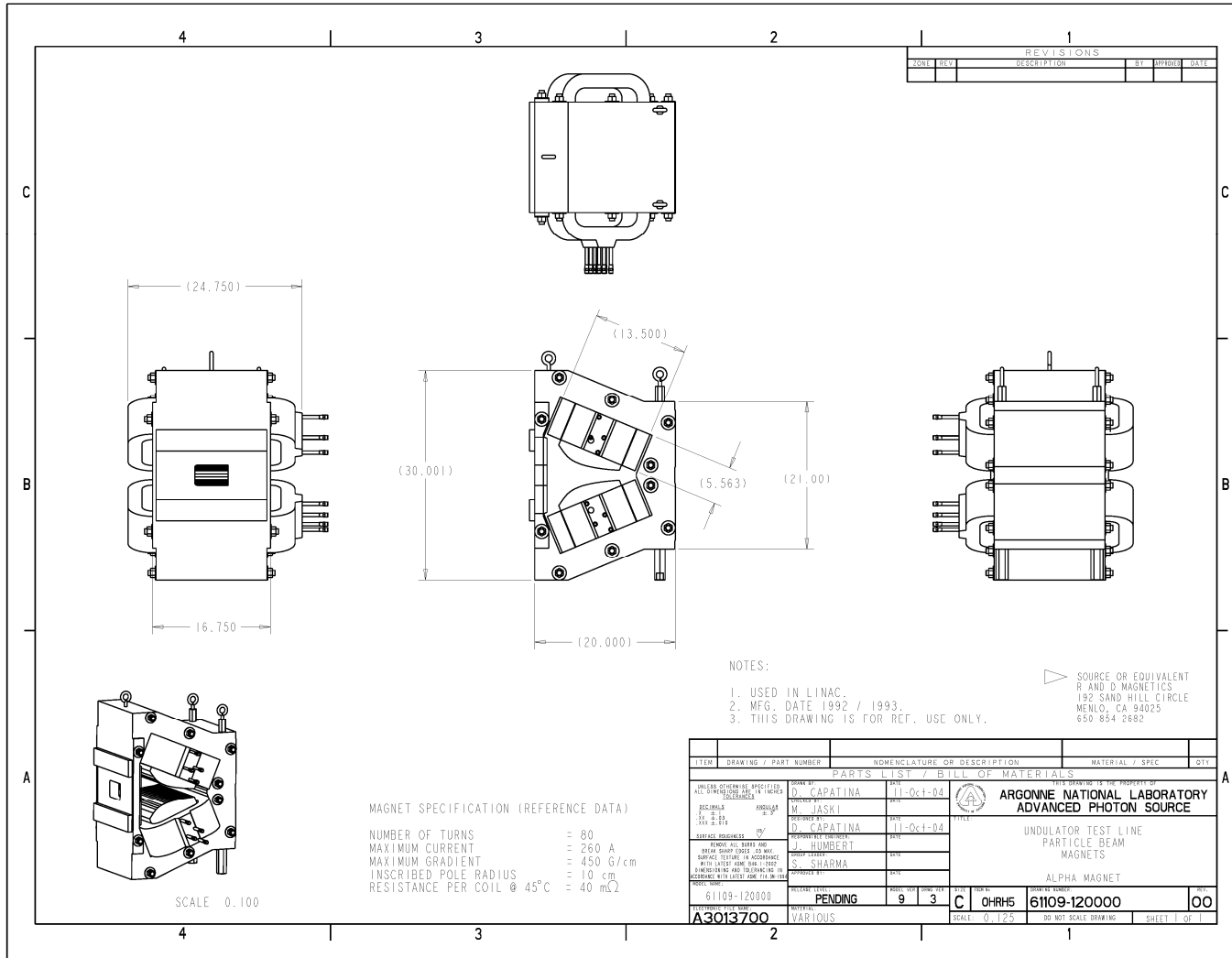
LINAC ALPHA MAGNET



Dwg. No. 61109-120000

This magnet is called an Alpha magnet for which it directs the electrons. The electron beam comes out of the RF gun and does an alpha loop thru the magnet to the LINAC beam line. The identification number is L1:RG2:LFA.

LINAC ALPHA MAGNET



James Humbert
4/28/2005

MECHANICAL ENGINEERING GROUP
ACCELERATOR SYSTEMS DIVISION

**Advanced
Photon
Source**
ARGONNE National Laboratory

