

APS/Users Monthly Operations Meeting

Brian Stephenson

April 24, 2013

Agenda

- APS Update – Brian Stephenson
- APS Upgrade Update – George Srajer
- High Energy Diffraction Microscopy at Sector 1: An Inside View of Materials' Responses– Robert Suter



LOM 438F Construction and Parking Safely

- Construction of new pentagon LOM 438F is underway
- Parking will be relatively scarce; please use overflow lot rather than roadsides



Continued Excellent Accelerator Performance

- **Just completed 3rd best run ever for APS**
 - Only 10 faults
 - MTBF: 170.8 hrs
 - Total downtime: 19.4 out of 1727 hours
 - 98.9% availability
- **Our 5 most recent runs have included the top 4 best ever**
- **Since October 2011:**
 - MTBF: 152.1 hrs
 - 99.0% availability
- **Congratulations to the whole Accelerator Operations team!**

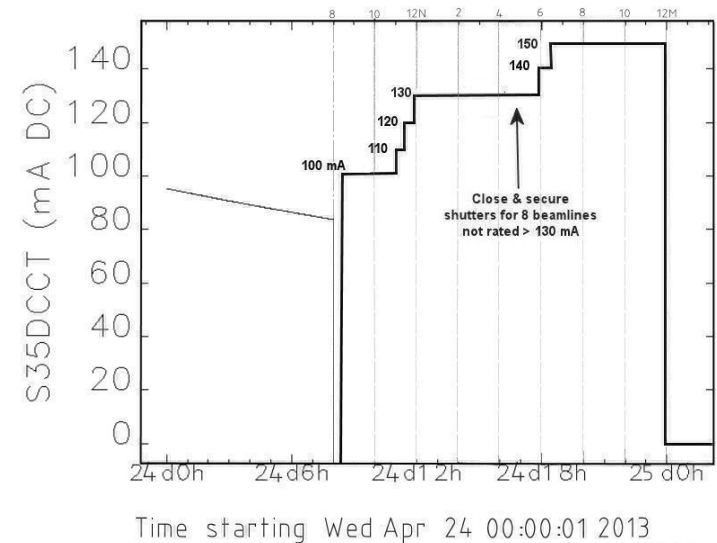


Second Round of Beamline High Current Tests

April 24, 2013 (TODAY!)

- Significantly Increased Participation over August 2012 Studies by:
 - Added 6 hours of 130 mA studies
 - Restricted ID Gaps

	ID Beamlines	BM Beamlines
2012 August	8	1
2013 April	23	13



- Many of the non-participating beamlines are within the APS Upgrade scope
- Contacts: Julie Cross (2-0592) and Gary Navrotski (2-7576)

May 2013 Shut Down

April 26th - May 29th

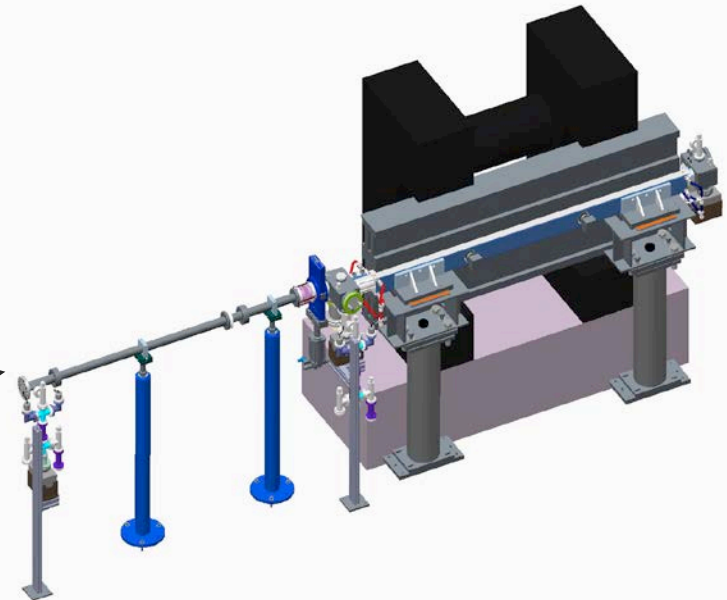
Notable Activities (3 out of ~220 work requests)

- Preparations for LINAC PC gun installation (solenoid removal, etc.)
- Replace the ID vacuum chambers in S27 & S28 (APSU CD3a RIX + APS impedance studies)
- Removal of backscattering beamline components in Sector 1



September 2013 Shut Down

- S5ID SPX vacuum chamber move (SPX Cryostat vacuum chamber simulator)



LDRD Proposals Due May 6

- Pre-proposals for FY2014 Strategic Initiative and Director's Competitive Grants due May 6
- Hard X-ray Sciences continues as a Strategic Initiative
- Please submit your ideas as directed on Argonne web site:

[Laboratory-Directed Research & Development \(LDRD\)](http://www.anl.gov/LDRD/)

<http://www.anl.gov/LDRD/>

